

Pilot Gas Heater - PGH/PGHT

Application

The Caloritech™ Pilot Gas Heater is specifically designed to heat the pilot tube gas stream of an automatic pressure reducing valve. A large pressure reduction through the pressure reducing valve will create a temperature drop due to the Joule-Thomson effect. This temperature drop can cause moisture in the gas stream to accumulate and damage the internal seals in the valve.

The Pilot Gas Heater combines a high efficiency aluminum casting with a temperature controller to maintain the pilot tube gas stream temperature regardless of the gas flow rate. This heater is designed to prevent damage to valve seals caused by freezing of entrained moisture while maintaining a temperature low enough to prevent damage by overheating. Two different control options are available. The PGH model incorporates a digital electric thermostat, and the PGHT model uses a mechanical thermostat for temperature control.

Standard Features

- No maintenance required
- Heavy duty sheet metal casing
- Compact size
- Caloritech™ *x-Max*® anodized aluminum enclosure
- CSA Type 4 ingress protection
- Multiple conduit entries
- 304 series stainless steel heavy wall coiled tube
- Aluminum casting for efficient heat transfer
- 1500 psig operating pressure
- Replaceable heating element
- High limit protection
- 3/8" NPT inlet and outlet connections
- Standard wattages from 250 W to 750 W
- Mounting bracket (removeable for uni-strut mount)

Model PGH Features

- Electronic controller for precise temperature control
- Digital indicating display of operating temperature
- Impact resistant tempered glass
- External setpoint adjustment
- Horizontal mounting only for CSA Type 4 ingress protection



Figure 73 – PGH Series Heater

Model PGHT Features

- Mechanical thermostat
- External setpoint adjustment
- Horizontal or vertical mounting

Optional Features

- Internal setpoint adjustment
- Optional voltages and wattages available
- Optional mounting brackets

Hazardous Location Ratings

- Class I, Div.1 & 2, Groups A, B, C and D;
- Class II, Div.1 & 2, Groups E, F and G;
- Class III, Div.1 & 2, Zones I & 2, Groups IIA, IIB and IIC
Temperature Code T4

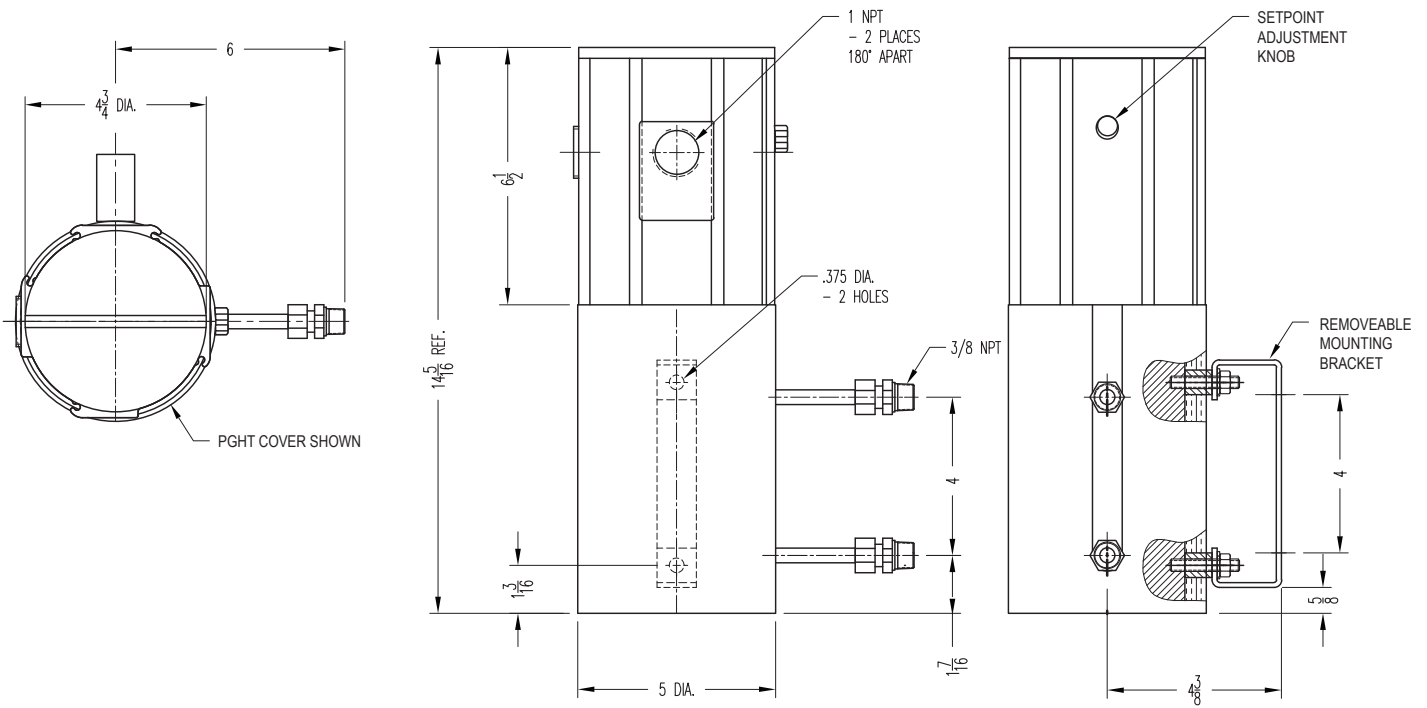


Figure 74 – PGH Series Heater Dimensions

Table 30 – Standard Heater Listing

Part No. with Electronic T'stat	Part No. with Mechanical T'stat	Volts	Phase	Wattage	Weight	
					lbs	kg
PGH02511	PGHT02511	120	1	250	17.5	8.0
PGH02521	PGHT02521	208		250		
PGH02531	PGHT02531	240		250		
PGH03511	PGHT03511	120		350		
PGH03521	PGHT03521	208		350		
PGH03531	PGHT03531	240		350		
PGH05011	PGHT05011	120		500		
PGH05021	PGHT05021	208		500		
PGH05031	PGHT05031	240		500		
PGH07511	PGHT07511	120		750		
PGH07521	PGHT07521	208		750		
PGH07531	PGHT07531	240		750		