

Bolt Heaters - IX

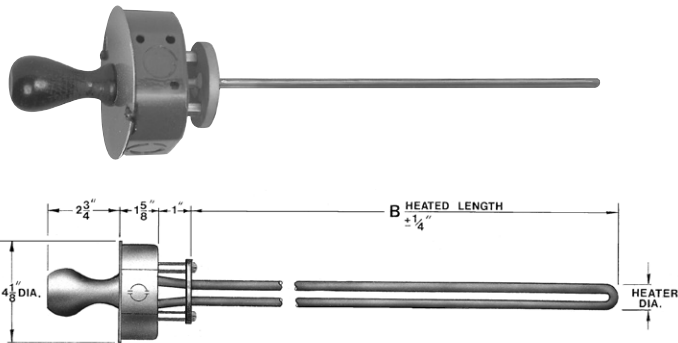


Figure 67

To Order Specify

- Quantity
- Voltage
- Catalog number
- Wattage

Application

Bolt heaters are for insertion into large hollow studs. When energized, the heater is intended to expand the length of the stud to facilitate wrench tightening of the nut.

Heaters are generally used in pairs or sets to achieve uniform bolt tension. Applications include assembly and disassembly of turbines, engine heads, dies, cylinders and large flanged connections.

Special lengths, diameters and wattages are available (check factory).

Note

Because of the elevated element sheath temperatures experienced in these applications, expect heater life to be relatively brief. Service life can be improved if the heater "on" time during a heating cycle is kept to the minimum required.

Although heaters are of premium quality *CCI Thermal Technologies Inc. does not warranty the service life of these heaters since life is essentially user dependent.*

Table 26 – Bolt Heaters

Hole Diameter		Approximate Heater Diameter		'B' Heated Length		Standard Voltages	Wattage	Net Weight		Catalog Number
in	mm	in	mm	in	mm			lbs	kg	
0.500	12.7	0.490	12.4	12	305		850	4	2	IXS12600-01
				18	457		1250	4	2	IXS12600-02
				24	610		1700	7	3	IXS12600-03
				30	762		2100	7	3	IXS12600-04
0.563	14.3	0.550	14.0	12	305	120 208 240	850	4	2	IXS12600-05
				18	457		1250	4	2	IXS12600-06
				24	610		1700	7	3	IXS12600-07
				30	762		2100	7	3	IXS12600-08
0.625	15.9	0.615	15.6	12	305		1700	7	3	IXS12600-09
				18	457		2500	7	3	IXS12600-10
				24	610		3400	9	4	IXS12600-11
				30	762		4200	9	4	IXS12600-12
0.688	17.5	0.673	17.1	12	305	120, 208, 240	1700	7	3	IXS12600-13
				18	457		2500	7	3	IXS12600-14
				24	610		3400	9	4	IXS12600-15
				30	762		4200	9	4	IXS12600-16
0.750	19.0	0.736	18.7	18	457	120, 208, 240	2500	4	2	IXS12600-17
				24	610		3400	4	2	IXS12600-18
				30	762		4200	7	3	IXS12600-19
				42	1067		5900	9	4	IXS12600-20
0.875	22.5	0.863	21.9	24	610	120, 208, 240, 480, 600	3500	7	3	IXS12600-21
				36	914		5000	7	3	IXS12600-22
				48	1219		6500	9	4	IXS12600-23
				60	1524		8000	9	4	IXS12600-24
1.000	25.4	0.984	25.0	24	610	120, 208, 240, 480, 600	3500	7	3	IXS12600-25
				36	914		5000	7	3	IXS12600-26
				48	1219		6500	9	4	IXS12600-27
				60	1524		8000	9	4	IXS12600-28